



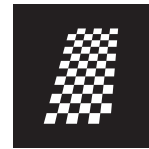
PHOTOS MAY SHOW OPTIONAL OR CUSTOMISED EQUIPMENT.

Basic Line
(Continuous)Basic Line
(Interrupted)

Edgeflex



Longflex



Chess

THERMOPLASTIC EXTRUSION

The Borum® Master 5000 series provides you with a variety of high capacity line marking machines designed for large scale jobs such as marking highways, motorways or airport runways.

The material tank capacity can be up to 710L. The possibility for the large material capacity naturally gives fewer stops during the day for refilling.

The BM 5000 has a two-seat slidable drive and operator section for flexible working on left or right side.

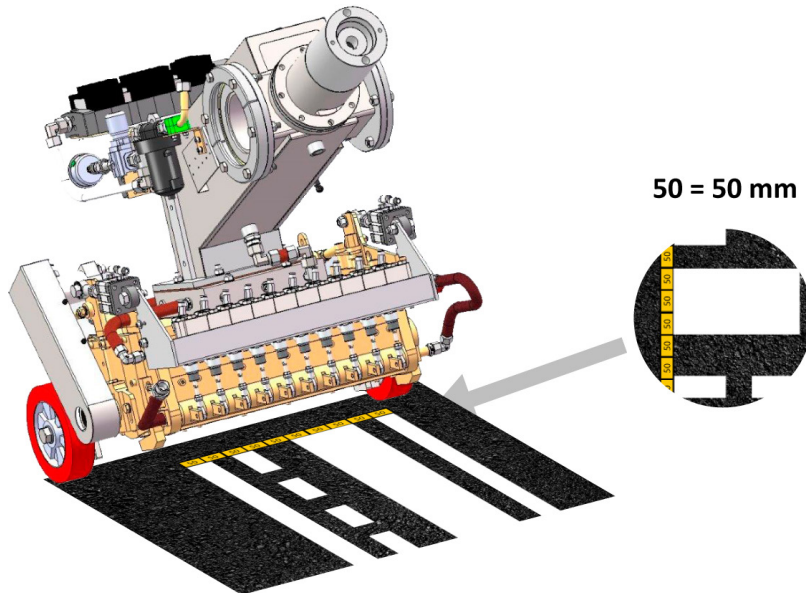
The thermoplastic Borum extruder can apply lines of 5 – 50 cm width depending on the set-up. The extruder may be used for the application of various types of plain and profiled lines, single and double lines of different widths, as well as for simultaneous application of continuous and interrupted lines.

TECHNICAL SPECIFICATIONS

ENGINE	
Manufacturer	Kubota
Type	Turbo
Cooling	Water
Cylinder	4 stroke 3800 cm ³
RatedPower	74 KW
Approval	EU Stage IIIA resp. TIER 3
COMPRESSOR	
Compressor Capacity	Choice of 1-2 compressors can give 1800 - 3600 L/min @ 10 bar. Integrated oil-cooling system. Air-cooler incl. water separator
FILLING CAPACITIES	
Fuel tank capacity	180 L (2 x 90 L)
Hydraulic tank size	93 L
Bead capacity	330 L (2 x 165 L). Pressurised (max 3 bars)
MATERIAL TANK	
Material Tank	445 L, 585 L or 710 L
DRIVING PROPERTIES	
Drive angle	12.5 degrees / 22% (low gear 7200 kg)
Turning radius	4.90 m.
Steering	Dual torque steering
TRANSMISSION	
Hydrostatic transmission	For variable speed
Speed	Low gear 0-12 km/h, high gear 0-24 km/h
ELECTRICAL SYSTEM	
Electrical system	12 V / 150 Amp
CONTROL UNIT	
Borum LineMaster	Program up to 99 different line types. Organise lines in up to 30 marking programs. 8" display. Transfer of daily marking reports. See more detailed info.
COLOUR	
Colour	RAL 1007 (Other colours available on request)
DIMENSIONS	
Length	5350 mm
Width	1300 mm
Height	2250 mm

THERMOPLASTIC EXTRUDER

The working principle of the extruder lies in the extrusion of the ready hot thermoplastic material through the extruder valves onto the road surface. Glass beads can be automatically applied. The thickness of the line is controlled by the slot gap and the speed of the machine, coupled to the thermoplastic feed rate.



Thermoplastic extruder set-up ranging from 30-50 cm total line width, built-up with 5 cm standard valves (alternative valve dimensions in the range of 4-10 cm for alternative line widths).

Hot-oil heated equipment for optimal performance.

Effective heating of the complete unit using a centrifugal pump, 42 L/min, hydraulically driven.

Pneumatic lifting cylinder for up/down function, operation controlled from operator's seat.

The shutters do not touch the high tensile steel drum and therefore the lifetime is long.

Pneumatically controlled quick cleaning function for the removal of solids left in the extrusion slots can be activated while extrusion is in process.

Continuous circulation of the thermoplastic inside the equipment. This avoids settling and catching of solid parts and prevents unnecessary wear of mechanical parts.

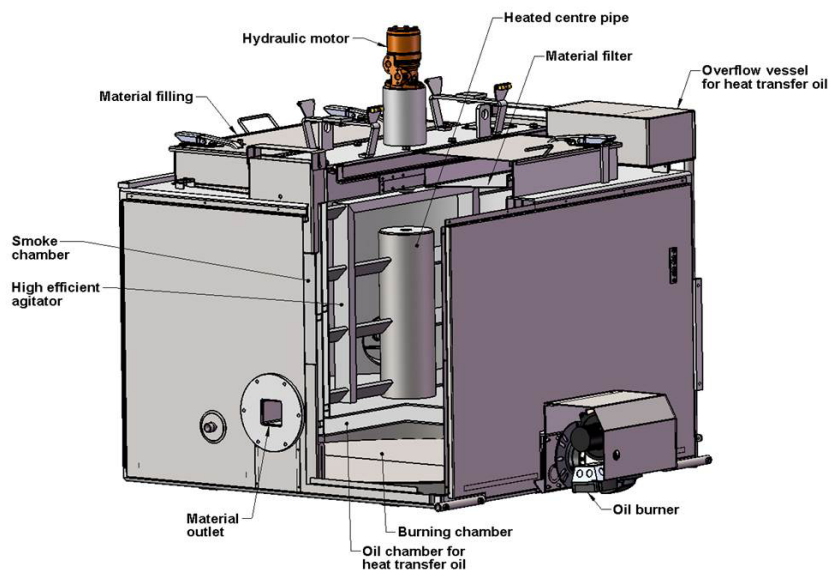
The application speed goes up to 8-10 km/h. Speed-dependent settings possible.

SCREW PUMP WITH CONTINUOUS RECIRCULATION SYSTEM

The transport of material from tank to extruder head is done by a hydraulically driven screw pump, which is electronically controlled. The screw pump has a permanent thermoplastic recirculation system which ensures a constant flow past the in-active extrusion valves, keeping these clean and ready for opening.

Build-in pressure regulating system ensures that line width and thickness does not change no matter the number of the shutters involved in the current marking assignment.

NON-PRESSURISED THERMOPLASTIC TANK



THERMOPLASTIC NON-PRESSURIZED TANK:

Non-pressurized thermoplastic tank indirectly heated via heat transfer oil. The thermal oil and thermoplastic material temperature is thermostatically controlled and regulated automatically.

BURNER SYSTEM

Diesel burner system for heating of the thermal oil (and thermoplastic). Propane burner available on demand.

VERTICAL AGITATOR (MIXER)

With hydraulic transmission. Heated center pipe for efficient uniform temperature control. Perfect melting & homogenization of the thermoplastic. Stable construction with foundation and bearings at the top of the material tank.

LINEMASTER FEATURES

The Borum LineMaster allows you efficient control of all line marking tasks, from line application and pre-marking to reporting and invoicing. It is possible to store up to 99 different line types, and to arrange these in up to 30 different marking programs. You are also able to pre-set line widths, line types, colours and combinations to have them ready for marking, and can instantly adjust them on the go.

CRUISE CONTROL

For your convenience we recommend use of cruise control. Read more about the cruise control in the Borum Knowledge Lab on www.borum.as.

QUICK CLEANING

Pneumatically controlled quick cleaning system for removal of solids left in the extrusion slot. Can be activated while extrusion is in process and is only slightly detectable on the line in the form of a moderate thickening of layer.

RAW MATERIALS

We recommend using a high quality application material. Please contact your material supplier for further advice on choosing the right material.

FEATURES THERMOPLASTIC EXTRUDER:

Extrusion applied thermoplastic road markings are available in various levels of Luminance, Skid Resistance & Reflectivity.

- Audible linemarking that is used on road edges.
- The raised marking produces a sound when a vehicle drives over it.
- Immediate retroreflectivity.
- Durable thermoplastic and long lasting markings.



Depending on the set-up of the extruder, lines of 30 – 50 cm width can be applied. The extruder may be used for the application of various types of plain and profiled lines, single and double lines of different widths, as well as for simultaneous application of continuous and intermittent lines.



TYPICAL USES:

Thermoplastic is generally used on roads with high traffic and low night visibility as highways and motorways.



LEARN MORE

Find out more in the Borum Knowledge Lab.

ADDITIONAL EQUIPMENT

The additional equipment can be mounted on the machine according to your requirements. They are not necessary for the running of the machine, but add to the comfort of the machine driver or to the functionality of the machine.



Quick shift



Pre-marking system with paint can



Cruise control



Bar with pneumatic lift for mounting warning lights
(Comes without lights)



Sunshade with 1 rotating light



Remote control for BM LineMaster



Cone holder



GPS system



Pointer turning with steering
With hydraulic lifting system



Bead alarm mounted on bead gun



Air drier for bead tank



Pre-marking system with paint gun



Airknife



Ejector filling of bead tank



Fixed pointer
With hydraulic lifting system



Hydraulic broom